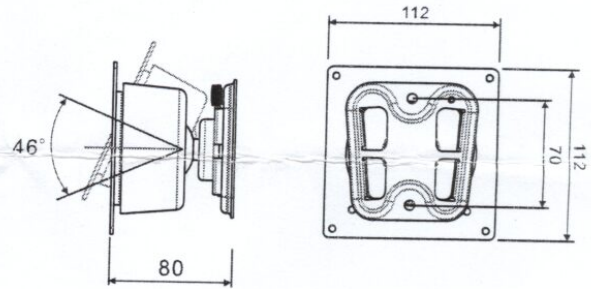
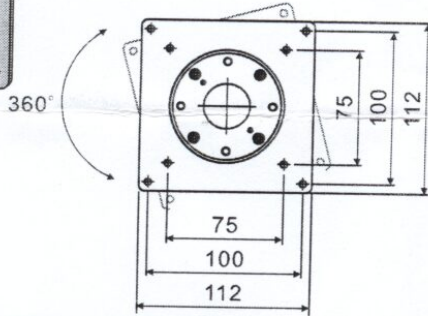
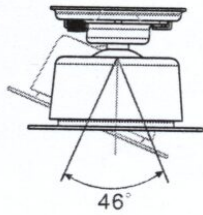
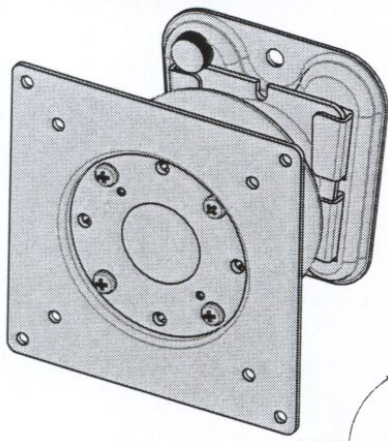


LCD Monitor Wall Mounts

Specification



- ◆ For LCD Monitor /TV size up to 26" ; Max Load: 15kgs
- ◆ Meets VESA standard: 75 x 75 / 100 x 100 mm.
- ◆ Monitor adjustable: 360 degrees;
Monitor up & down adjustable: 46 degrees;
Left/Right swivel: 46 degrees
- ◆ Distance between TV backside and partition: 80 mm
- ◆ Recommended wall thickness: 50 mm

Unit : mm

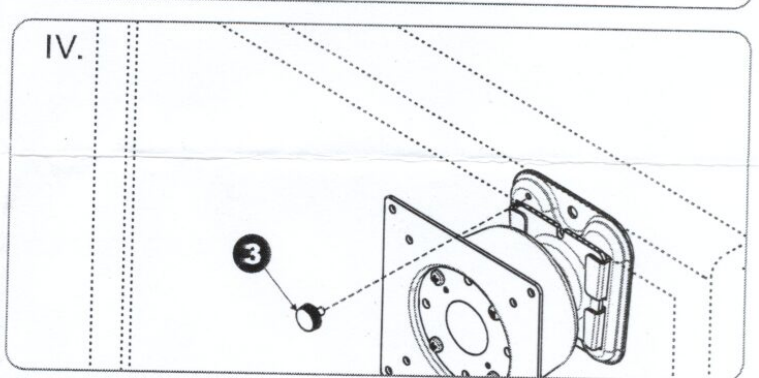
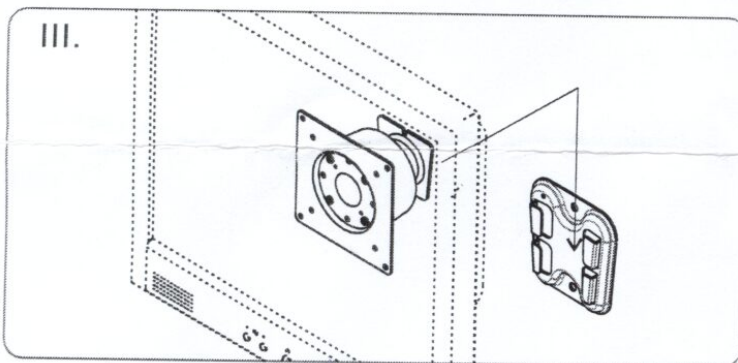
Installation

I.

WOODEN WALL	CONCRETE WALL
<p>6 x2</p>	<p>7 x2</p>
<p>6 + 7</p>	

II.

SELECT	
4	M4x8
5	M4x12



Parts List

MAIN PARTS

ITEM	1	2	3
PART			
QTY	1	1	1

PARTS FOR TV BRACKETS

ITEM	4	5
PART		
	M4x8	M4x12
QTY	4	4

PARTS FOR WALL BRACKETS

ITEM	6	7
PART		
	1/4x1.5"	
QTY	2	2